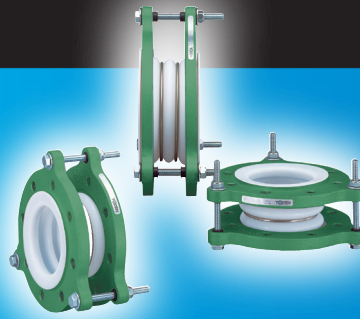


Fluoropolymer flexible joint Bellows type

FLONEX α

3-arch design Fluoropolymer bellows are excellent in durability



Feature

Clean = Pure

Virgin fluoropolymer material is free of any impurities or soluble substance such as stabilizers, antioxidants or carbon. It is considered as one of the most hygienic material.

Compact Design

A short face to face dimension enable compact design of the pipe.

Bellows

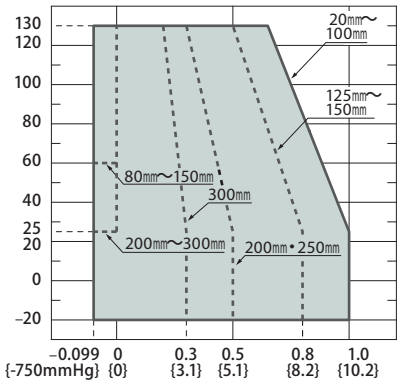
Unique forming method enable an even & uniform thickness & shape of the bellows.

Negative pressure

Depending on operating temperature, it is able to be used up to minus 0.099MPa, (minus 750mmHg)

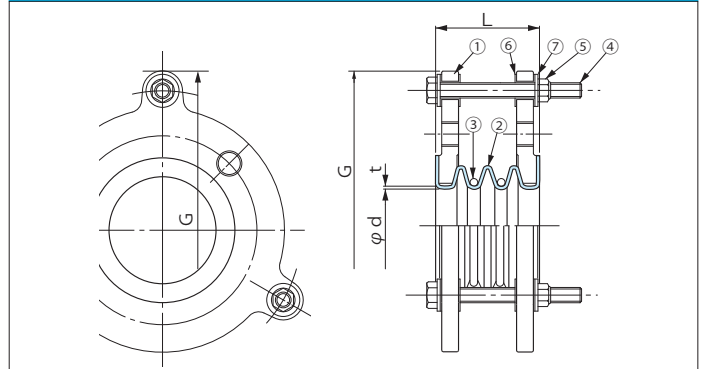
Operating Conditions and Performance

Temp. [°C]



•Use after confirmation that the maximum operation pressure and maximum service temperature are within the operation range.

Structure



No.	Parts	Material	No.	Parts	Material
①	Flange	FCD	⑤	U nut	SS400
②	Bellows	Fluorine resin	⑥	Rubber bushing	CR
③	Reinforcing Ring	SUS304	⑦	Plain washer	SS400
④	Stop bolt	SS400			

Flange compatible dimension	Standard	JIS10K	Different from above figure
	Flange standard can be changed to	○ JIS5K	
	○ PN16		
	○ JIS20K		
	○ ANSI		
Material	Standard	FCD0	Different from above figure
	Flange material can be changed to	○ SS400	
		○ SUS304	
		○ SUS316	
	✗ PVC		

※Please contact us for other flanges.

◇We also have [FLONEX α GY with 3 and 5 bellows type] that is superior to the corrosion-resistance. For its performance and size, please contact us.

Dimensions and Allowable Movements

Nominal Dia.		Dimension [mm]				Mass [kg]	Allowable Movement [mm]				Installation Tolerances [mm]			
mm	inch	L	ϕd	t	G		Eccentricity	Elongation	Compression	Deflection angle	Eccentricity	Elongation	Compression	Deflection angle
20	3/4	44	25	1.5	141.2	1.3	6	13	13	14°	3	3	3	5°
25	1	44	25	1.5	166.2	1.6	6	13	13	14°	3	3	3	5°
32	1 1/4	49	32	1.5	176.2	1.8	6	13	13	14°	3	3	3	5°
40	1 1/2	51	38	1.5	181.2	2.0	6	13	13	14°	3	3	3	5°
50	2	68	49	2.0	202.6	3.1	10	19	19	14°	4	3	3	5°
65	2 1/2	77	63	2.0	229.0	4.1	10	19	19	14°	4	3	3	5°
80	3	85	73	2.0	242.2	4.2	13	25	25	14°	5	5	5	5°
100	4	85	97	2.5	257.6	5.9	13	25	25	14°	5	5	5	5°
125	5	100	119	2.5	319.9	11	13	25	25	14°	5	5	5	5°
150	6	100	145	2.5	349.9	13	14	29	29	14°	6	6	6	5°
200	8	133	196	2.5	393.6	19	14	29	29	14°	6	6	6	5°
250	10	170	244	3.0	469.8	25	14	29	29	14°	6	6	6	5°
300	12	190	292	3.0	528.0	30	14	29	29	14°	6	6	6	5°

- Mass is the data when material is FCD, and flange is JIS10K flange.
- Use a joint within the range of allowable displacement.
- Fixing allowable dimension is included in allowable displacement (allowable displacement = fixing time displacement + operation displacement).
- Each displacement in chart are data of single displacement, so for multiple displacements, correction is necessary. For correction method, refer to "Attention for handling or "TOZEN HP".
- Referring to "fixing bolt dimension table", and use fixing bolt. Nut is not necessary. (When companion flange is JIS10K, material is SS400, and when plain washer and gasket are not used.)

This brochure may be revised without prior notice. We apologize in advance for any inconvenience this may cause.

Agent

TOZEN Corporation
8-4, Asahi, Yoshikawa
Saitama 342-0008 Japan

WE30-1912

